

# KSTAR

Stock code: 002518

## Turnkey Solution GSM6250C-MV / GSM6800C-MV



### **DC1500V Inverter+MV Transformer + HV Switchgear**

---

#### **Design**

- Max. PV voltage up to 1500V
- Max. 60 DC input
- Standard 40ft shipping container
- Easy installation

#### **Flexible**

- Modular pre-assembled solution
- Oil type or Dry type
- Breaker and Load switch protection
- Easy for maintenance

#### **Grid Support**

- Global solution
- Active and Reactive power control
- LVRT/HVRT/FRT
- IEC standard

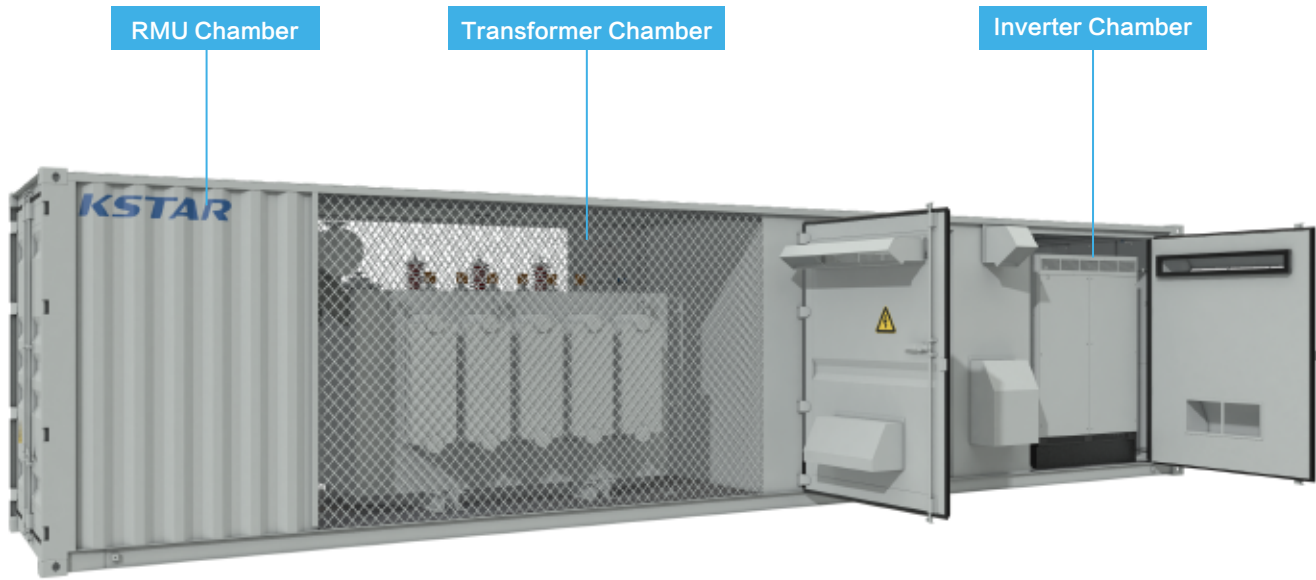
# GSM6250C-MV / GSM6800C-MV

## Technical Specifications

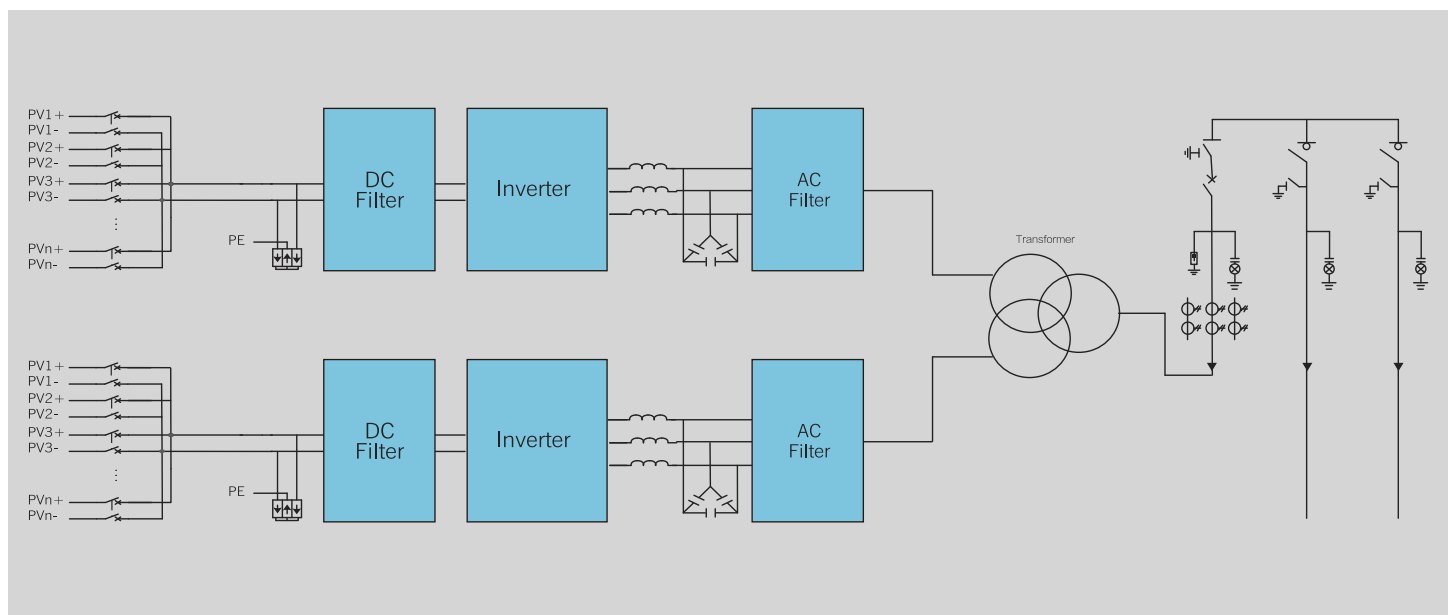
	MODEL	GSM6250C-MV	GSM6800C-MV
Input	Max.DC input voltage	1500Vdc	1500Vdc
	MPPT voltage range	900~1300Vdc	900~1300Vdc
	MPPT Number	4	4
	DC input number	56	56
	Max. input current	8160A	8160A
Output	Rated output power	6250KW	6800KW
	Max.output power	7200KW (25°C)	7200KW (25°C)
	AC output voltage	10~35kV	10~35kV
	LV / MV voltage	0.63kV / 10~35kV	0.63kV / 10~35kV
	Gird frequency range	50 / 60Hz(±5Hz), (adjustable)	50 / 60Hz(±5Hz), (adjustable)
	Power factor (cos Φ)	1 ( 0.8 leading – 0.8 lagging)(adjustable)	1 ( 0.8 leading – 0.8 lagging)(adjustable)
	Total harmonic current distortion(THDi)	<3%	<3%
System features	Inverter max. efficiency	99%	99%
	Inverter Euro efficiency	98.7%	98.7%
	MPPT efficiency	>99%	>99%
	Cooling type	Forced air cooling	Forced air cooling
	Communication interface	RS485, External Ethernet (Optional)	RS485, External Ethernet (Optional)
	MV Transformer Vector	Dy11y11	Dy11y11
	MV Transformer Type	Oil/ Dry	Oil/ Dry
Protection devices	HV Switchgear protection	Circuit Breaker	Circuit Breaker
	AC leakage current fault protection	Yes	Yes
	LVRT/HVRT	Yes	Yes
	Ground fault protection	Yes	Yes
	Anti-islanding protection	Yes	Yes
	DC overvoltage protection	Yes	Yes
	DC surge protection	Yes	Yes
	AC surge protection	Yes	Yes
DC reverse-polarity protection	Yes	Yes	
Environment	Operating temperature	-40°C ~ +60°C (More than 50°C derating)	-40°C ~ +60°C (More than 45°C derating)
	Humidity range	0 ~ 95% (non-condensing)	0 ~ 95% (non-condensing)
	Altitude	Above 2000m derating	Above 2000m derating
	Noise level	<65dB	<65dB
	Protection rating	IP54	IP54
Physical	Dimension WxDxH	12192×2438×2896mm	12192×2438×2896mm

\* Specifications are subject to change without prior notice.

### Layout



### Circuit diagram



# KSTAR PV Project Reference



Ukraine **200MW+240MW** PV Power Station



Russian **500MW** PV Power Station



Talesun Jiayuguan **1GW** PV Power Station



Pakistan **900MW** PV Power Station



Zhejiang **200MW** Watersurface PV Power Station

